

Fast Switch and Lossless Channel Monitoring System

(Patent pending)

Product Description

Based on Agiltron’s patented fiberoptic technology, the Fast Switch Multi-Channel Monitoring System provides the unique capability of selecting and monitoring any channel in the multi-channel fiber optic network with minimum interruption of the data stream by using high speed switches. It compensates the intensity loss in the data stream during monitoring and provides the tap signals with full intensity. This system is designed for cost-effective surveillance and network monitoring applications.



Performance Specifications

Seamless Channel Monitoring System	Min	Typical	Max	Unit
Operation wavelength	1260	1550	1650	nm
Switching time	100n		2m	s
Insertion loss in all channels			1.5	dB
Additional loss in monitoring channel		0		dB
Optical power to monitor	-3			dBm
Return loss	50			dB
Power consumption		7		W
Operating temperature	-5	25	65	°C
Interface	USB	, RS232,	Ethernet	

Features

- Minimum interruption on data stream
- Lossless
- Scalable up to 500 channels
- Cost effective

Applications

- Realtime, lossless in-line channel monitoring



Fast Switch and Lossless Channel Monitoring System

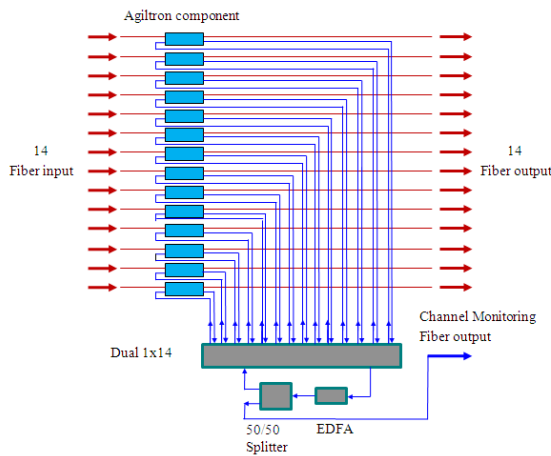
Mechanical Dimensions

Standard 19" case. The height is determined by channel number.

Electrical Interface

- RS 232
- Ethernet RJ45
- USB

Function Diagram (scalable)



Ordering Information

SSPM-	Channels	Wavelength	Switching Time	Package	Fiber Type	Connector
<input type="checkbox"/>	8=008	1060=1	100ns=1	Standard=1	SMF-28 =1	None=1
<input type="checkbox"/>	14=014	1310=3	50 μ s=2	Special=0	MM 50/125=2	FC/PC=2
<input type="checkbox"/>	16=016	1410=4	2ms=3		MM 62.5/125=3	FC/APC=3
<input type="checkbox"/>	32=032	1550=5	0 = 0		Special=0	SC/PC=4
<input type="checkbox"/>	64=064	1310/1550=2				SC/APC=5
<input type="checkbox"/>	128=128	650=6				ST/PC=6
<input type="checkbox"/>	Special=000	780=7				LC=7
		850=8				Duplex LC=8
		Special=0				Quad LC=9
						Special=0